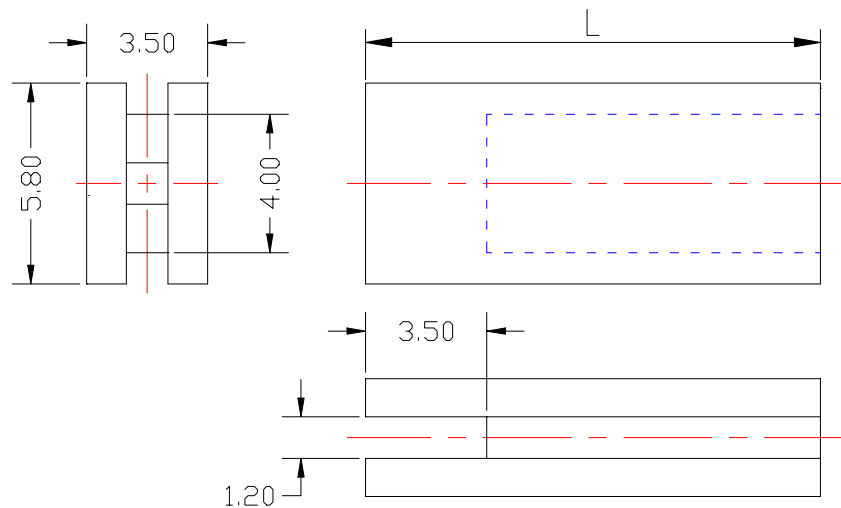


Bi-Color LED Spacer

H2C1-__mm

- Application: Fitting Bi-color LED lamp on PCB at the appointed height
- Material: N66
- Color: White
- Length: From 2 mm to 27 mm
- Unit: mm
- Dimension:



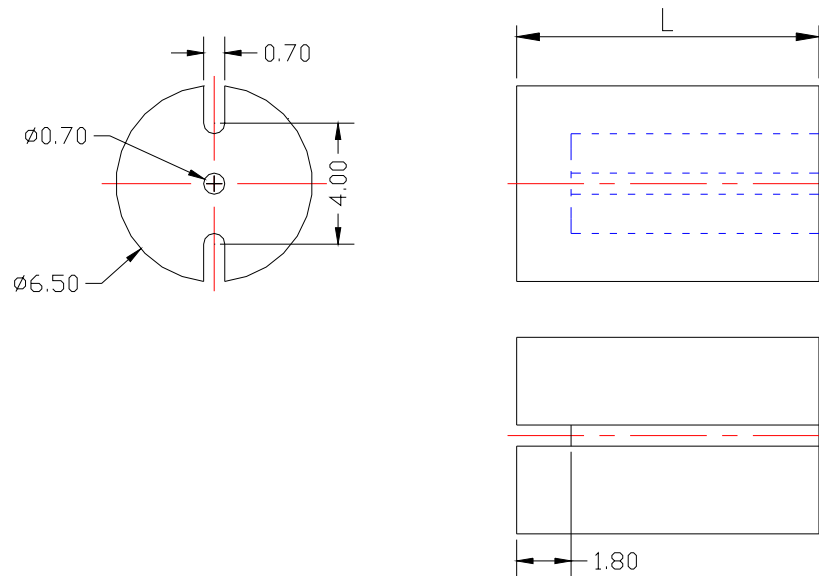
Notes:

1. All dimensions are in millimeters (inches).
2. Tolerance is 0.25mm (0.01") unless otherwise noted.

Bi-Color LED Spacer

H2C2-__mm

- Application: Fitting Bi-color LED lamp on PCB at the appointed height
- Material: N66
- Color: White
- Length: From 2 mm to 27 mm
- Unit: mm
- Dimension:



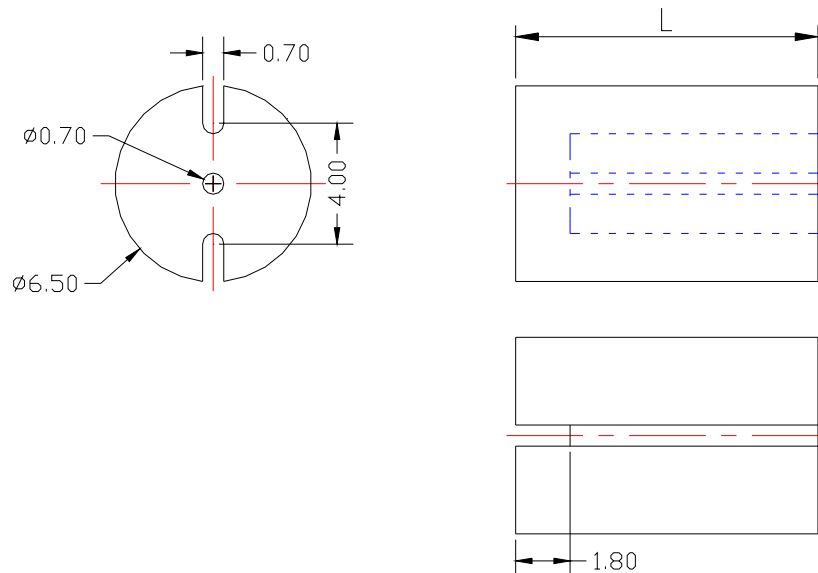
Notes:

1. All dimensions are in millimeters (inches).
2. Tolerance is 0.25mm (0.01") unless otherwise noted.

Bi-Color LED Spacer

H2C3-__mm

- Application: Fitting Bi-color LED lamp on PCB at the appointed height
- Material: N66
- Color: Black
- Length: From 2 mm to 27 mm
- Unit: mm
- Dimension:



Notes:

1. All dimensions are in millimeters (inches).
2. Tolerance is 0.25mm (0.01") unless otherwise noted.