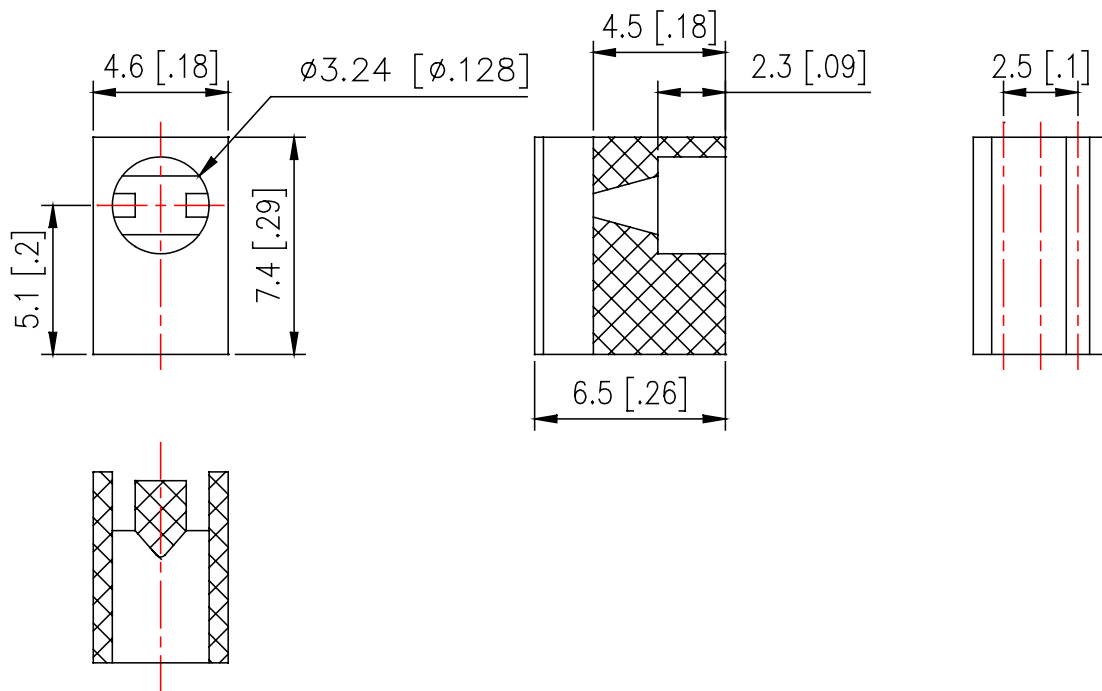


3mm Round LED Holder-90

H30-1U

- Application: Versatile mounting on PCB or panel, and colors can be mixed in a single housing
- Material: PA66
- Color: Black
- Unit: mm
- Dimension:



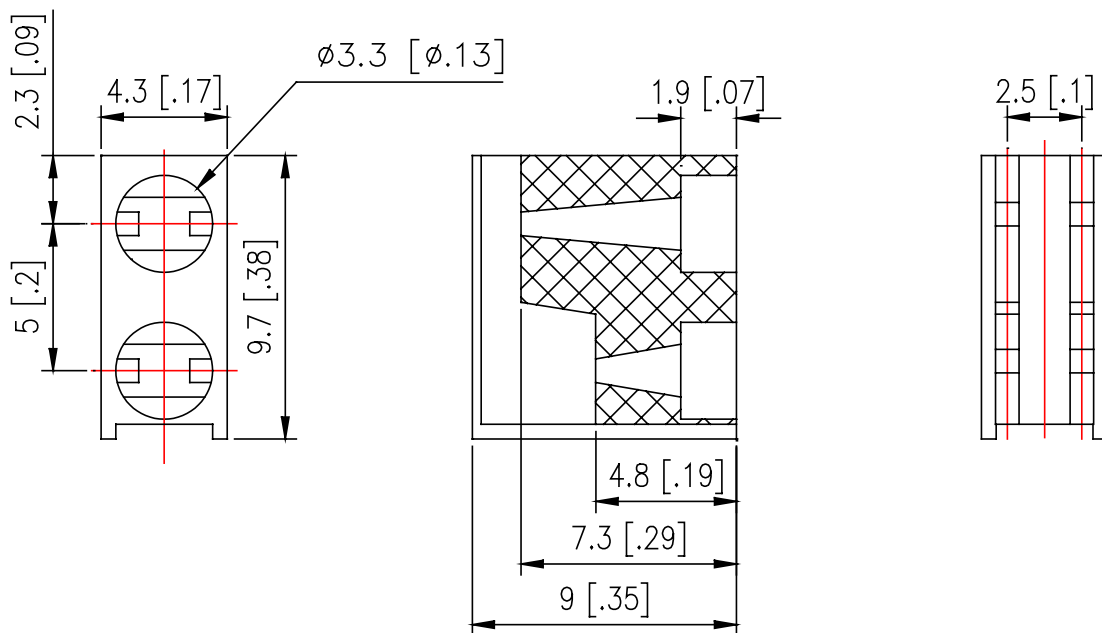
Notes:

1. All dimensions are in millimeters (inches).
2. Tolerance is 0.25mm (0.01") unless otherwise noted.

3mm Round LED Holder-90

H30-2

- Application: Versatile mounting on PCB or panel, and colors can be mixed in a single housing
- Material: PA66
- Color: Black
- Unit: mm
- Dimension:



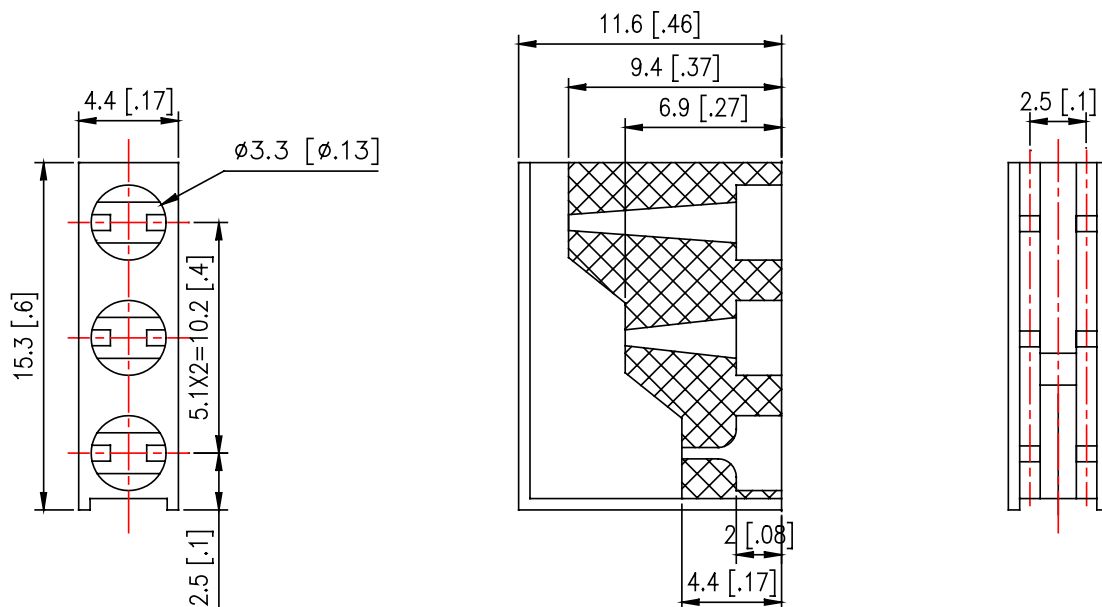
Notes:

1. All dimensions are in millimeters (inches).
2. Tolerance is 0.25mm (0.01") unless otherwise noted.

3mm Round LED Holder-90

H30-3

- Application: Versatile mounting on PCB or panel, and colors can be mixed in a single housing
- Material: PA66
- Color: Black
- Unit: mm
- Dimension:



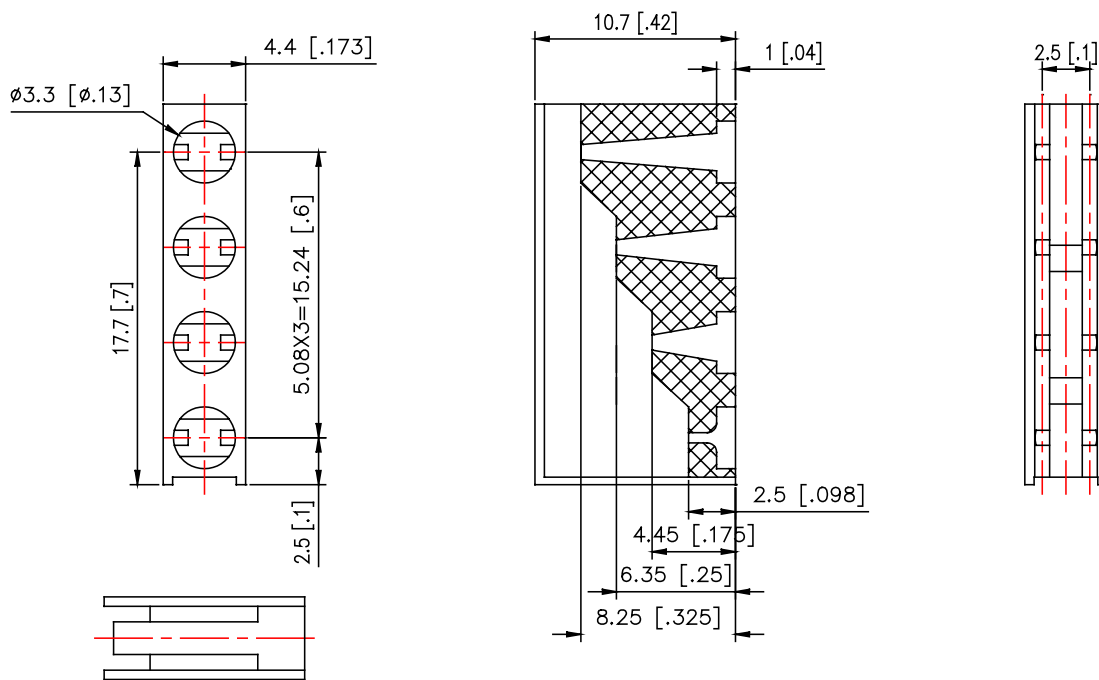
Notes:

1. All dimensions are in millimeters (inches).
2. Tolerance is 0.25mm (0.01") unless otherwise noted.

3mm Round LED Holder-90

H30-4

- Application: Versatile mounting on PCB or panel, and colors can be mixed in a single housing
- Material: PA66
- Color: Black
- Unit: mm
- Dimension:



Notes:

1. All dimensions are in millimeters (inches).
2. Tolerance is 0.25mm (0.01") unless otherwise noted.