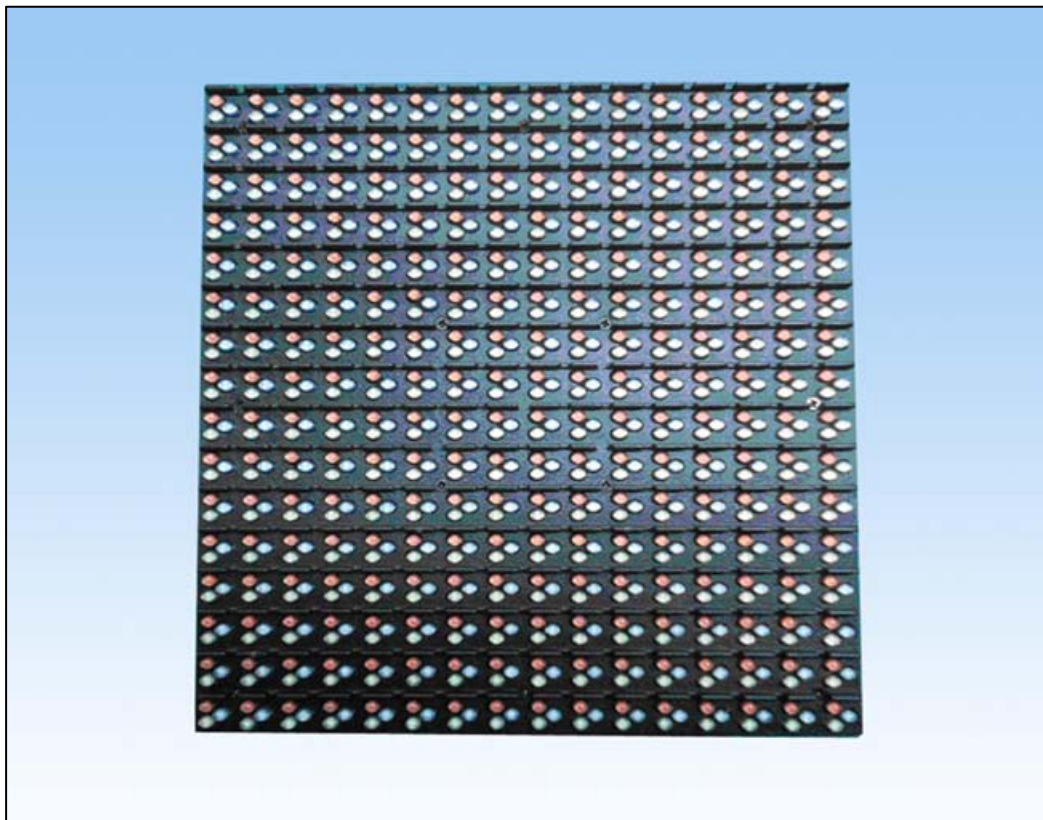


## P10 16X16-1R1G1B-KFS LED Module

REV. : 12-053

### ➤ Application

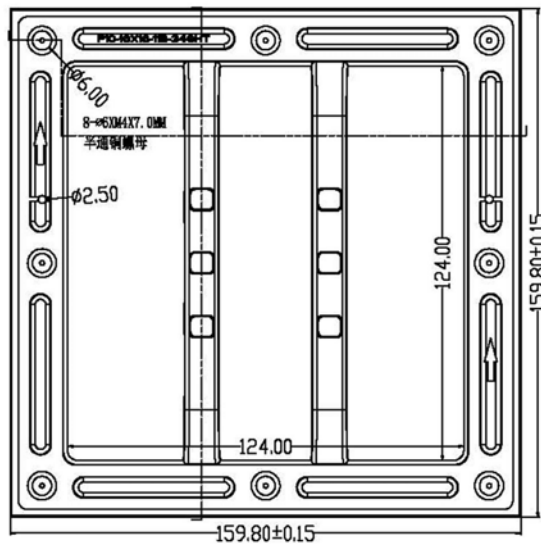
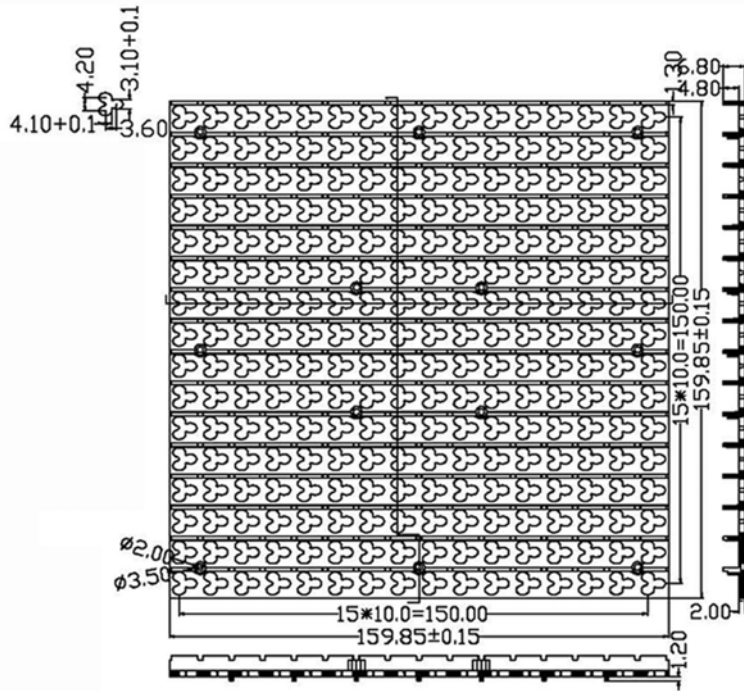
The LED module has an excellent appearance and super functions. As it can display plenty of vivid visions, it is widely used in many places such as hotel, bar, company's reception, meeting room, store, counter, car and so on.



**P10 16\*16-1R1G1B-KFS LED Module**

REV. : 12-053

➤ **Package Dimension**

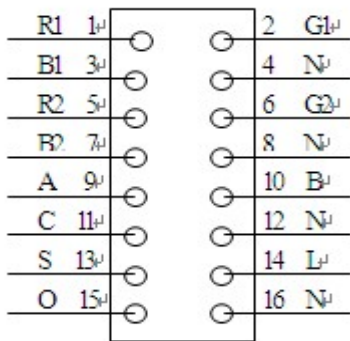


## P10 16\*16-1R1G1B-KFS LED Module



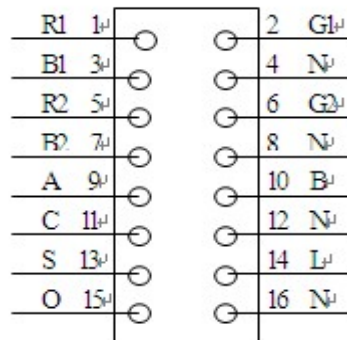
### ➤ Interface Description

HUB75 通用接口定义



INPUT

HUB75 通用接口定义



OUTPUT

## P10 16\*16-1R1G1B-KFS LED Module

➤ **Electrical and optical characteristics (Ta = 25°C)**

Color	Vf(V)		Reverse Current Ir (uA)	λ p(nm) Typ.	Iv(mcd)		Viewing Angle 2 θ 1/2(°)
	Typ.	Max.			Typ.	Max.	
Red	1.95	2.4	50	625	900	1200	110/45
Green	3.0	3.3	50	525	1600	2000	110/45
Blue	3.0	3.3	50	470	450	600	110/45
Test Condition	If=20mA		5V	If=20mA	If=20mA		If=20mA

➤ **Technical parameter**

Description	Technical parameter	
Unit module	PCB	Integrated Light/Driver
	Module size	160mm(W)*160mm(H)
	Pixel pitch	10 mm
	Pixels Density	10,000 dots/m <sup>2</sup>
	Pixel configuration	1 Red, 1 Green & 1 Blue
	LED specification	3.8mm X 5.2mm elliptical
	View angle	>110°(H) />55°(V)
	Pixel per module	16 (W)*16 (H) dots
	Working power consumption	≤12W/PC
	Max. power consumption	≤20W/PC
	Weight	0.52 kg
	Power port	2P U-terminal
	Signal interface	HUB 75
	Control system	PC
Operating system		WIN 98/2000/NT/XP/WIN7
control method		synchronous/asynchronous display
Main Technical Parameter	Driving device	Constant Current
	Drive type	1/4 scan
	Grayscale	4096 grayscales in red/green/blue
	Color	4096*4096*4096
	Luminous intensity	≥9100 cd/m <sup>2</sup>
	Working voltage	5 V
	Average power consumption/m <sup>2</sup>	≤390W/PC
	Max. power consumption/m <sup>2</sup>	≤780W/PC
	Life span	≥100,000 hours
	Best vision distance	10~100m
	Temperatuer & Humidity range	-20°C~60°C, 10%~90%