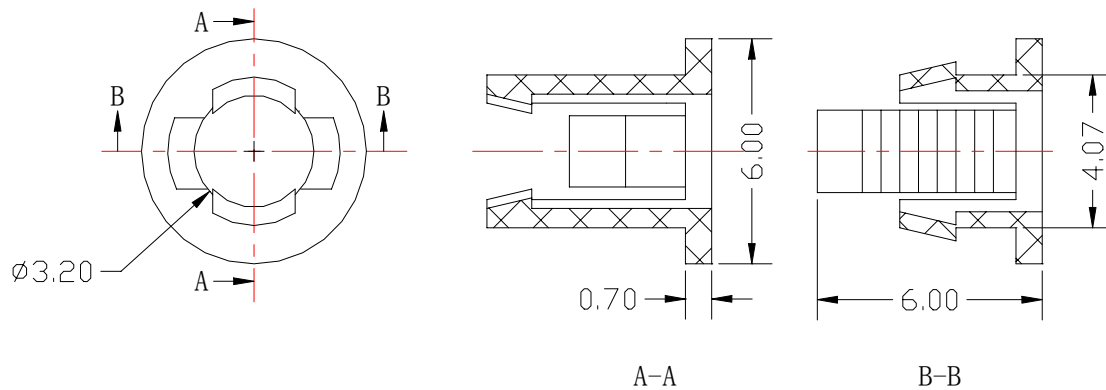


### 3mm Round LED Housing

**H31**

- Application: Fitting 3 mm LED lamp
- Material: PP-2
- Color: Black
- Unit: mm
- Dimension:



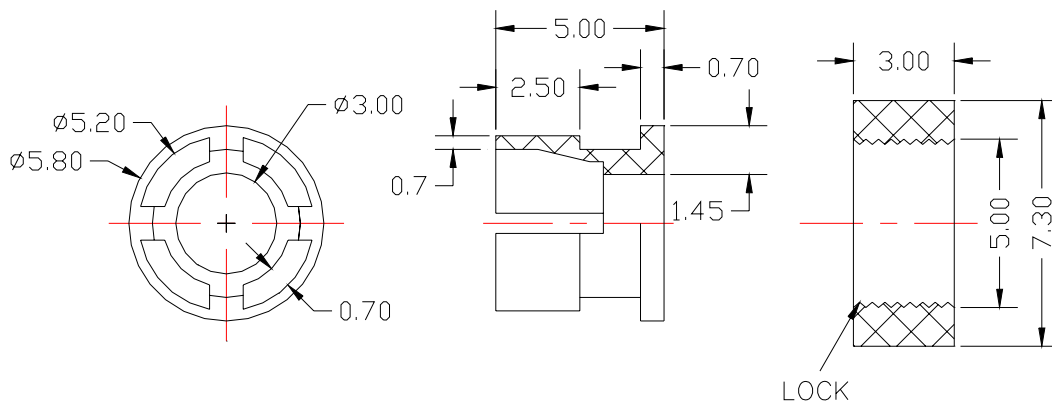
**Notes:**

1. All dimensions are in millimeters (inches).
2. Tolerance is 0.25mm (0.01”) unless otherwise noted.

### 3mm Round LED Housing

**H32**

- Application: Fitting 3 mm LED lamp
- Material: PP-2
- Color: Black
- Unit: mm
- Dimension:



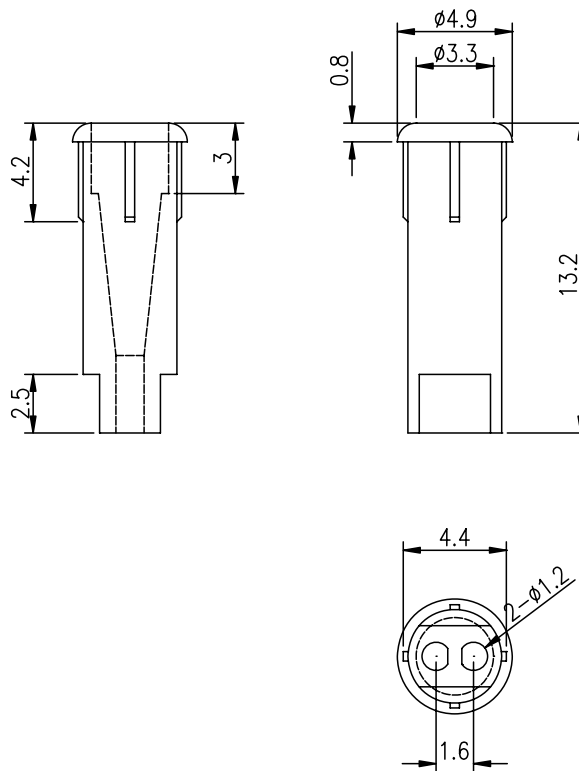
Notes:

1. All dimensions are in millimeters (inches).
2. Tolerance is 0.25mm (0.01") unless otherwise noted.

### 3mm Round LED Housing

**H3LC13**

- Application: Fitting 3 mm LED lamp with wire
- Material: N66
- Color: Black
- Unit: mm
- Dimension:



Notes:

1. All dimensions are in millimeters (inches).
2. Tolerance is 0.25mm (0.01") unless otherwise noted.