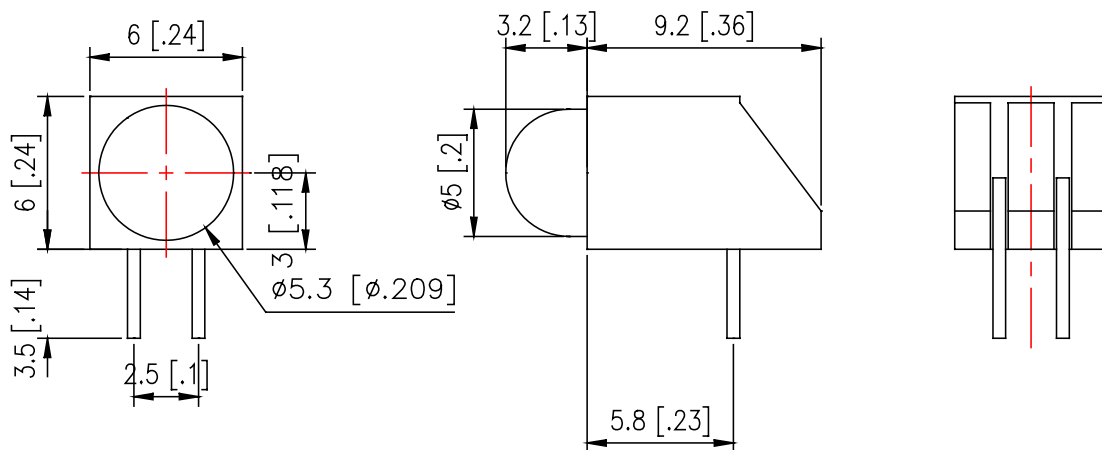


## 5mm Round LED Holder-90

**H50-1**

- Application: Versatile mounting on PCB or panel, and colors can be mixed in a single housing
- T-1 3/4 diameter flangeless package
- Material: PA66
- Color: Black
- Unit: mm
- Dimension:



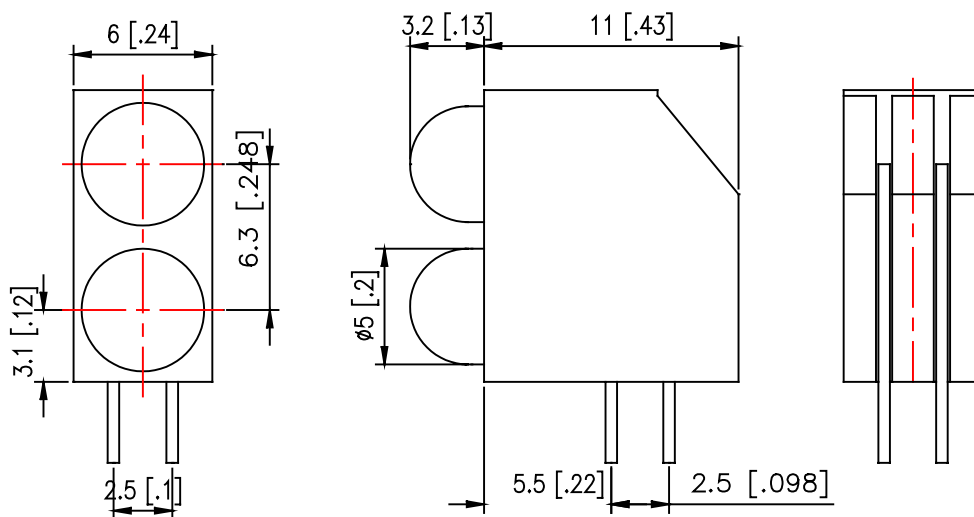
### Notes:

1. All dimensions are in millimeters (inches).
2. Tolerance is 0.25mm (0.01") unless otherwise noted.

## 5mm Round LED Holder-90

**H50-2**

- Application: Versatile mounting on PCB or panel, and colors can be mixed in a single housing
- T-1 3/4 diameter flangeless package
- Material: PA66
- Color: Black
- Unit: mm
- Dimension:



Notes:

1. All dimensions are in millimeters (inches).
2. Tolerance is 0.25mm (0.01") unless otherwise noted.