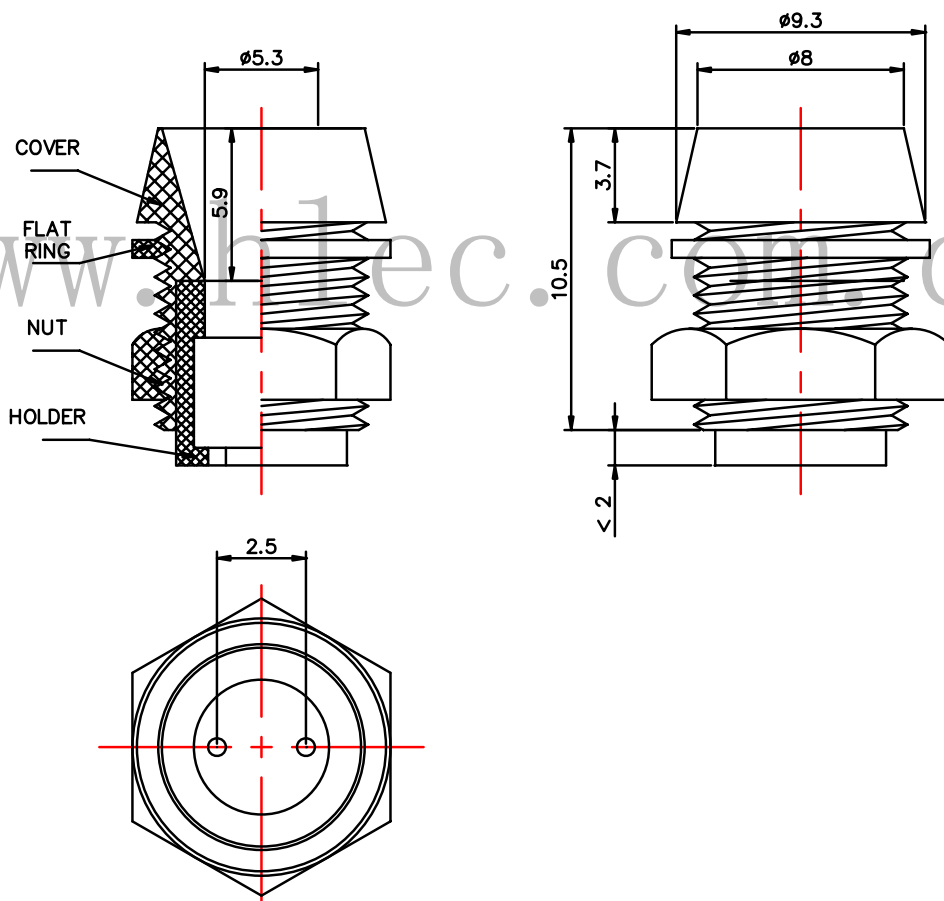
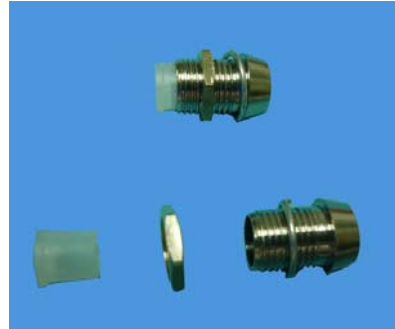


## 5mm Round LED Holder

5CC1

- Application: Fitting 5 mm LED lamp
- Unit: mm
- Dimension:



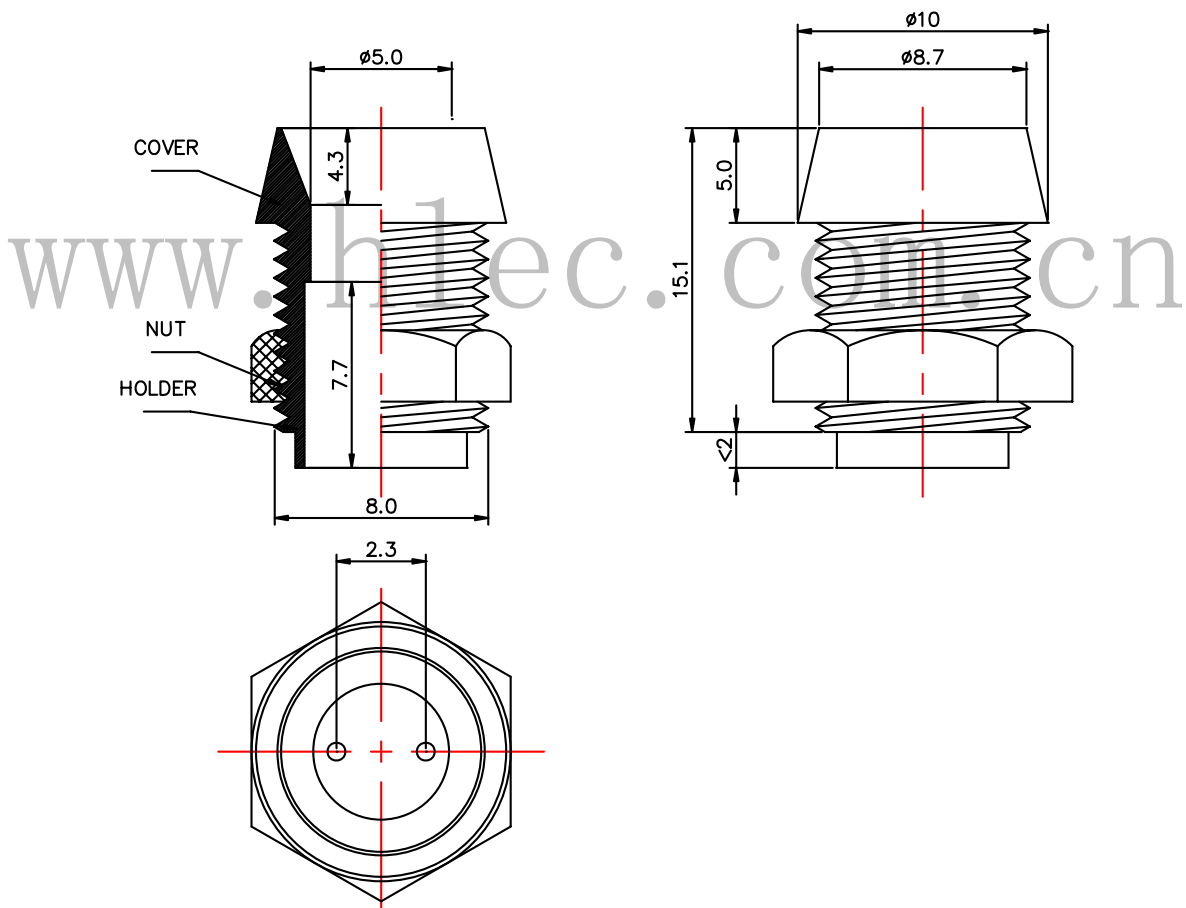
Notes:

1. All dimensions are in millimeters (inches).
2. Tolerance is 0.25mm (0.01") unless otherwise noted.

## 5mm Round LED Holder

5PC

- Application: Fitting 5 mm LED lamp
- Material: Plastics with chrom plated
- Unit: mm
- Dimension:



Notes:

1. All dimensions are in millimeters (inches).
2. Tolerance is 0.25mm (0.01") unless otherwise noted.