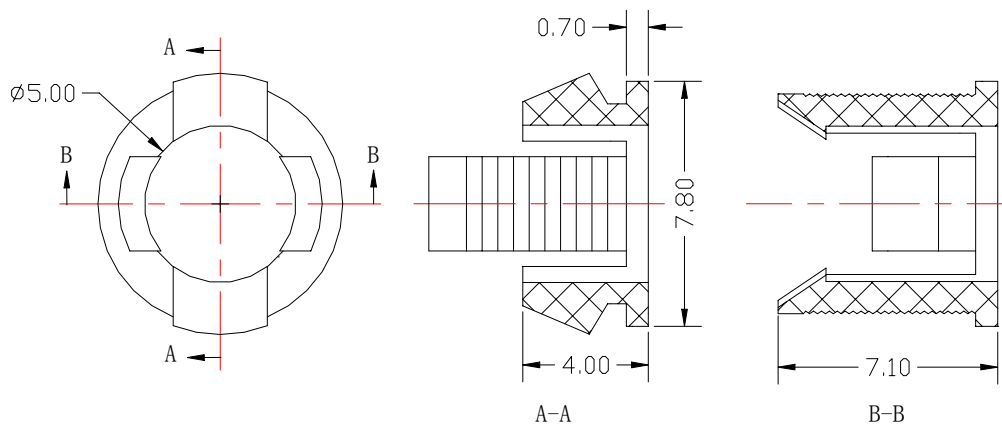


## 5mm Round LED Housing

**H51**

- Application: PCB indicator, LED indicator
- Material: PP-2
- Color: Black
- Unit: mm
- Dimension:



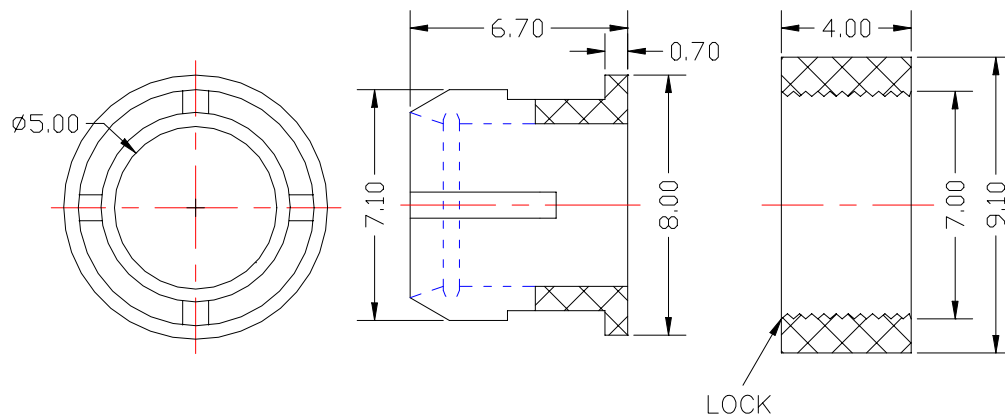
### Notes:

1. All dimensions are in millimeters (inches).
2. Tolerance is  $0.25\text{mm}$  ( $0.01''$ ) unless otherwise noted.

## 5mm Round LED Housing

H52

- Application: PCB indicator, LED indicator
- Material: PP-2
- Color: Black
- Unit: mm
- Dimension:



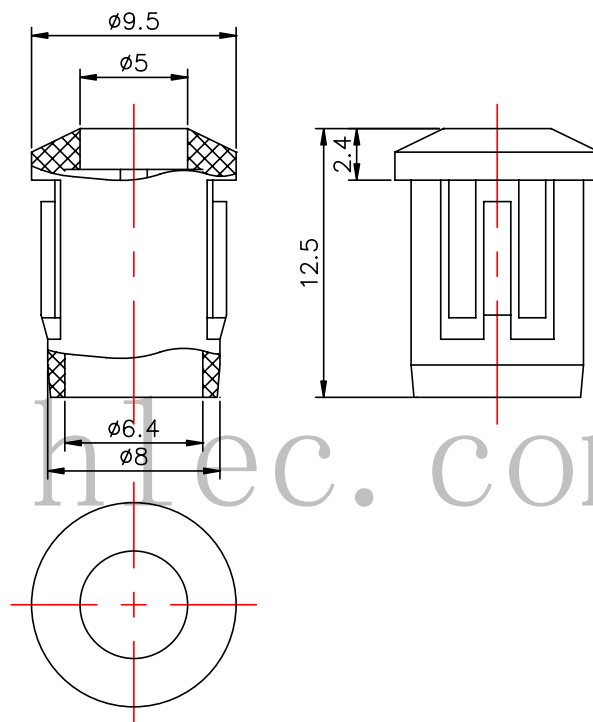
### Notes:

1. All dimensions are in millimeters (inches).
2. Tolerance is 0.25mm (0.01") unless otherwise noted.

## 5mm Round LED Housing

H52L

- Material: PC
- Color: Black
- Unit: mm
- Dimension:



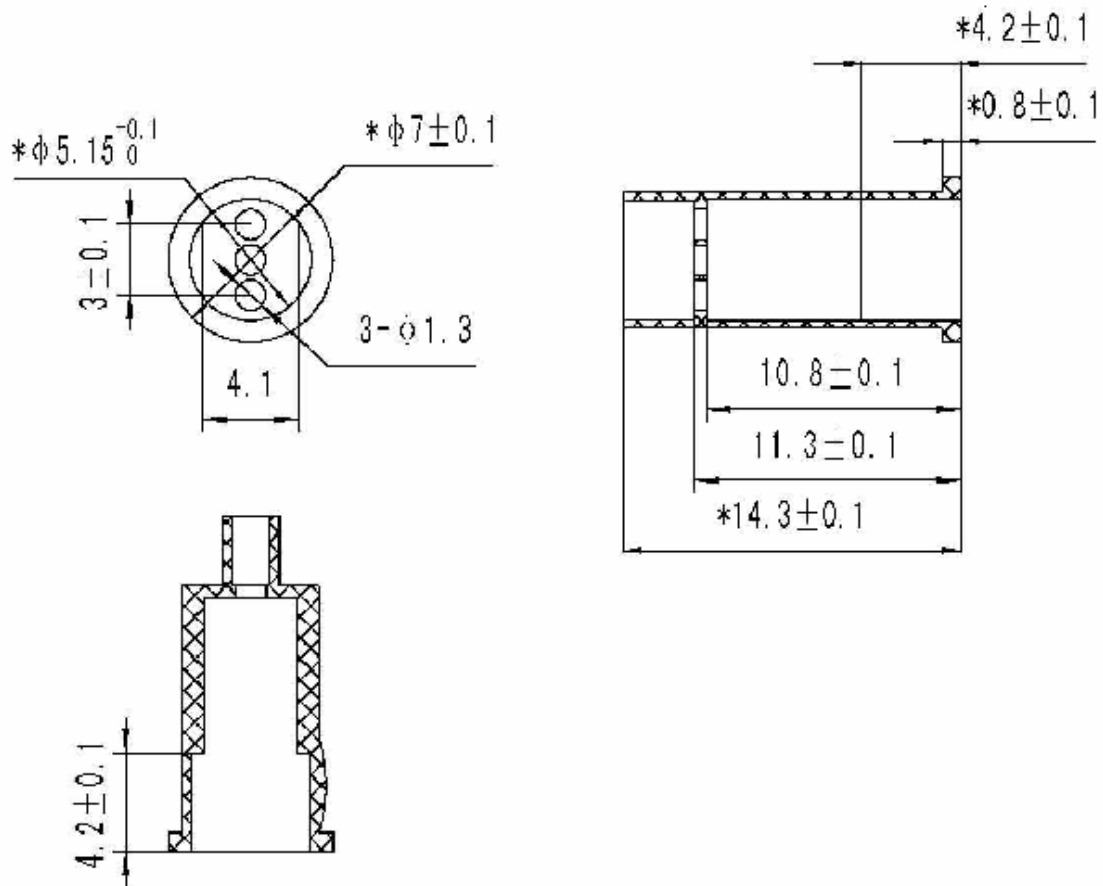
Notes:

1. All dimensions are in millimeters (inches).
2. Tolerance is 0.25mm (0.01") unless otherwise noted.

## 5mm Round LED Housing

H5L4

- Application: Fitting 5 mm LED lamp with wire
- Material: N66
- Color: Black
- Unit: mm
- Dimension:



Notes:

1. All dimensions are in millimeters (inches).
2. Tolerance is 0.25mm (0.01") unless otherwise noted.